

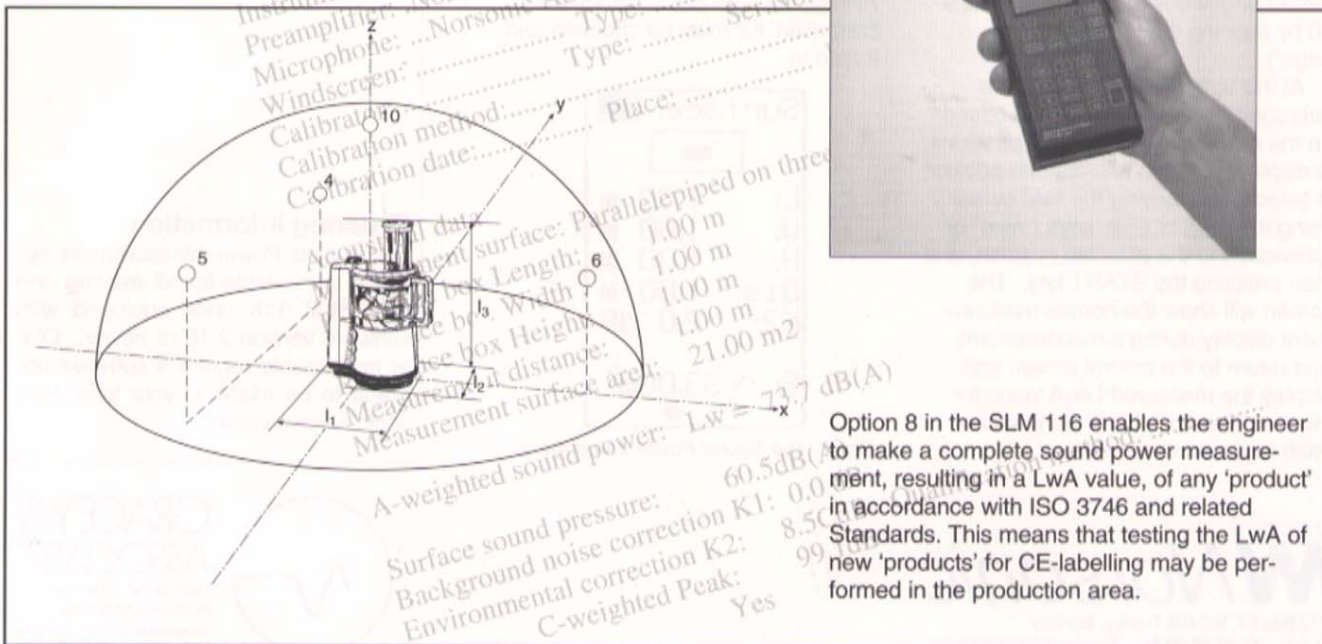
SOUND POWER MEASUREMENTS using the SLM116 with option 8

Uses:

- Engineering and Survey measurements of the LWA (A-weighted sound power level)
- CE-marking of new products

Features:

- Sound Power measurement according to ISO 3746 / EN23746 / ANSI S12.36-1990
- Selection of 6 hemispherical or parallel-piped surfaces
- Includes correction for background noise
- Includes correction for acoustic environment
- Checks the directivity
- Checks for possible impulsive noises
- Measures additionally the L_{PeakC} level
- Prints the final report



Option 8 in the SLM 116 enables the engineer to make a complete sound power measurement, resulting in a L_{WA} value, of any 'product' in accordance with ISO 3746 and related Standards. This means that testing the L_{WA} of new 'products' for CE-labelling may be performed in the production area.

